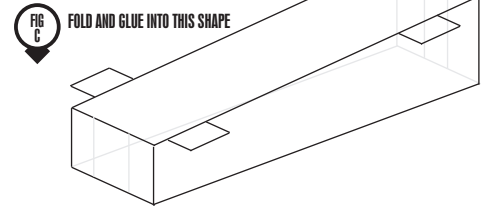
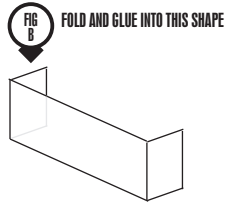
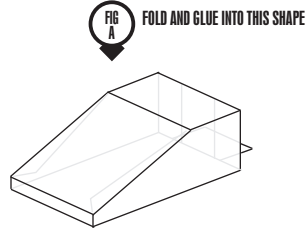
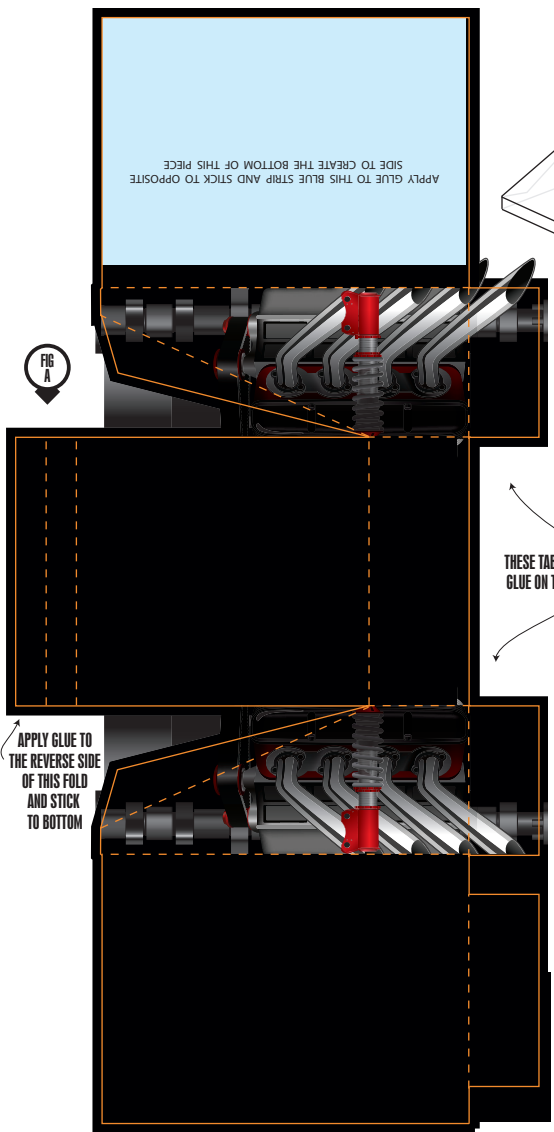


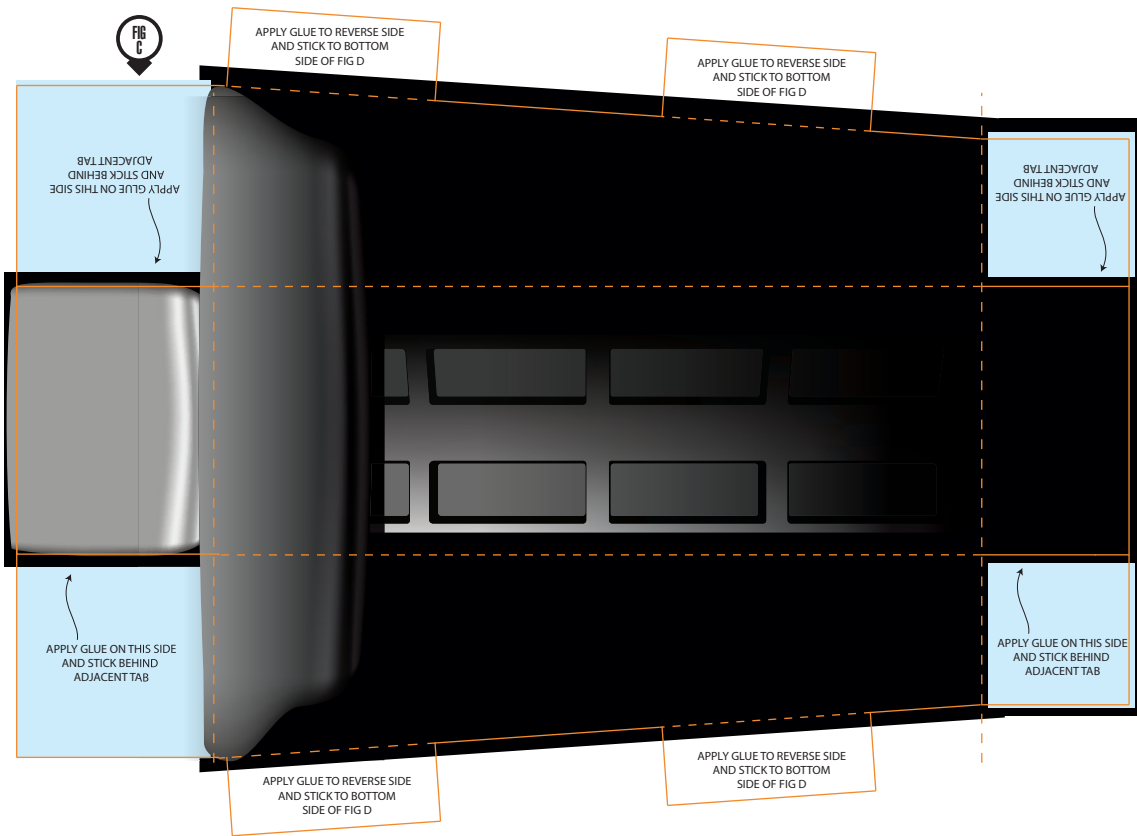
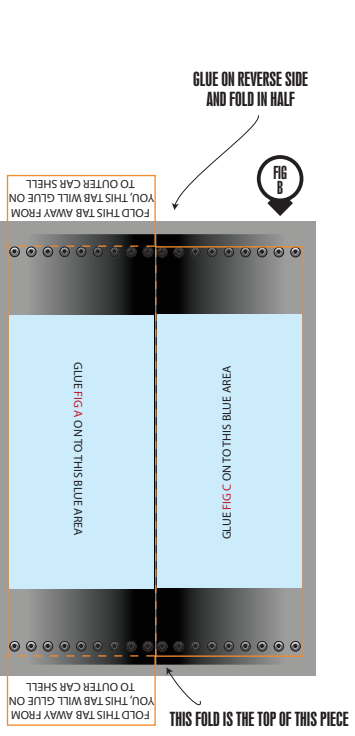
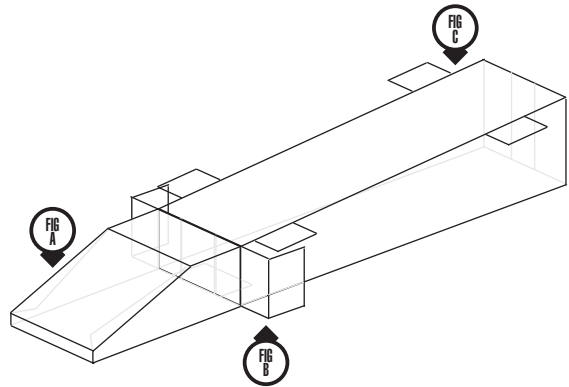
# BASIC INSTRUCTIONS PG. 1 of 4

- PRINT OUT
- CUT OUT ALONG SOLID LINES AND THEN FOLD ON DOTTED LINES (XACTO KNIFE WORKS BEST)

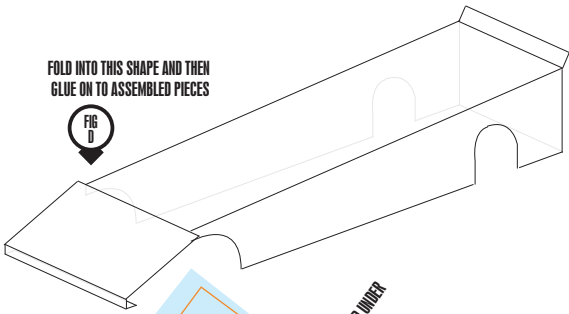


THESE TABS WILL GLUE ON TO FIG B

USE THIS TAB TO GLUE ON TO BOTTOM OF FIG C



FOLD INTO THIS SHAPE AND THEN GLUE ON TO ASSEMBLED PIECES



LUCASOIL.COM

FOLD UNDER



REMOVE THE TOP PART OF THE BLUE STICK ON THIS PIECE AND STICK ON THE BLUE STICK ON THE OPPOSITE SIDE

GLUE FIG 1 TO THIS BLUE STICK

GLUE FIG 1 TO THIS BLUE STICK

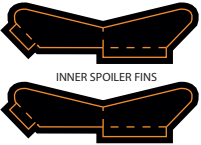
GLUE REVERSE SIDE AND STICK UNDER FOLD DOWN

FOLD UP

GLUE REVERSE SIDE AND FOLD IN HALF AND THEN GLUE TO REAR OF FIG D



OUTER SPOILER FINS



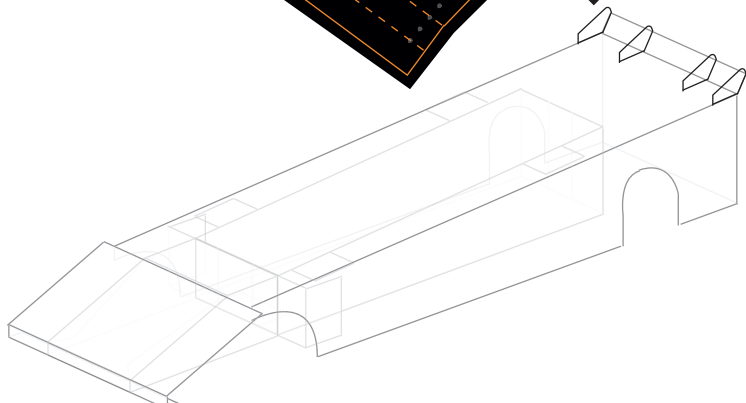
INNER SPOILER FINS

FOLD UNDER

APPLY GLUE TO THE REVERSE SIDE OF THIS FOLD AND STICK TO BOTTOM OF FIG A



APPLY FIG E TO REAR OF FIG D



### BASIC INSTRUCTIONS PG. 2 of 4

- PRINT OUT
- CUT OUT ALONG SOLID LINES AND THEN FOLD ON DOTTED LINES (XACTO KNIFE WORKS BEST)



LUCASOIL.COM

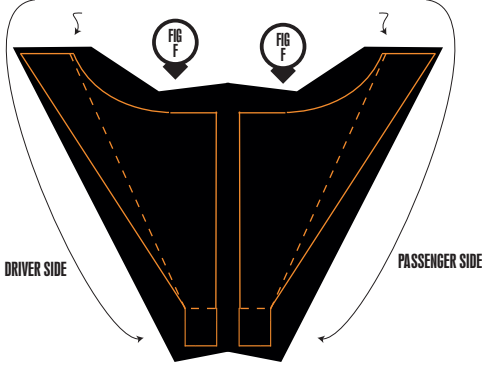


LUCASOIL.com

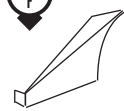
# BASIC INSTRUCTIONS PG. 3 of 4

- PRINT OUT
- CUT OUT ALONG SOLID LINES AND THEN FOLD ON DOTTED LINES (XACTO KNIFE WORKS BEST)

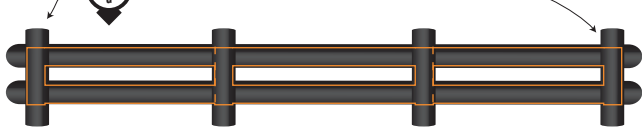
GLUE TABS AND APPLY UNDERNEATH TO FRONT OF FIG D TO COMPLETE WHEEL WELL



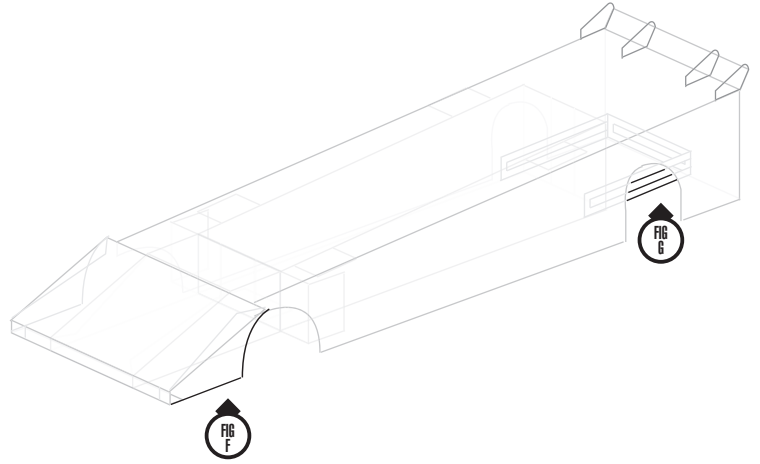
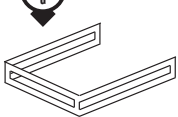
FOLD INTO THIS SHAPE AND THEN GLUE ON TO FIG D



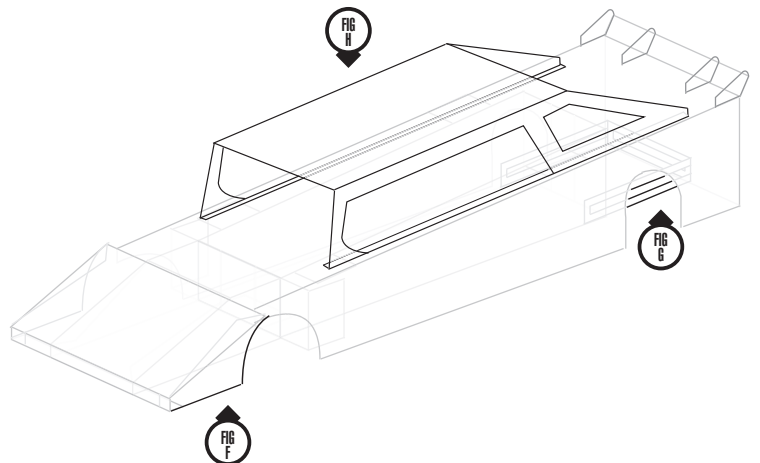
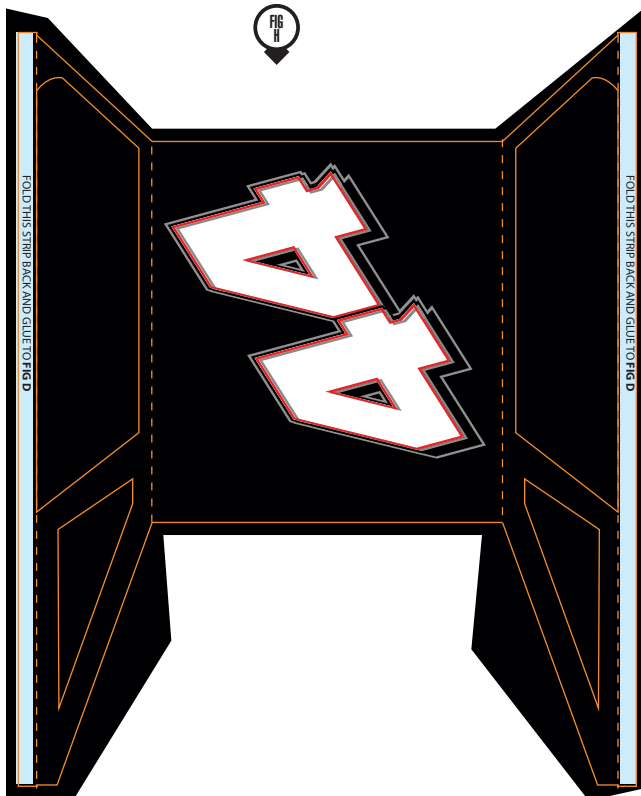
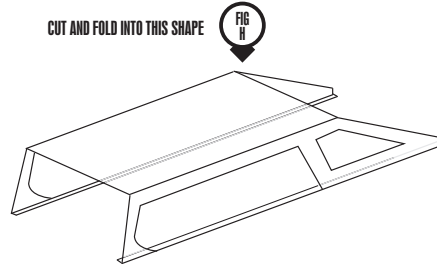
GLUE REVERSE SIDE AND APPLY TO REAR OF FIG C TO MAKE BUMPER



CUT AND FOLD INTO THIS SHAPE



CUT AND FOLD INTO THIS SHAPE

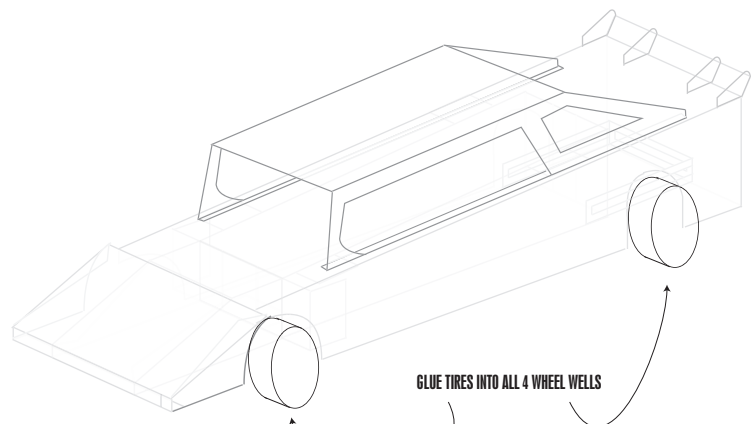
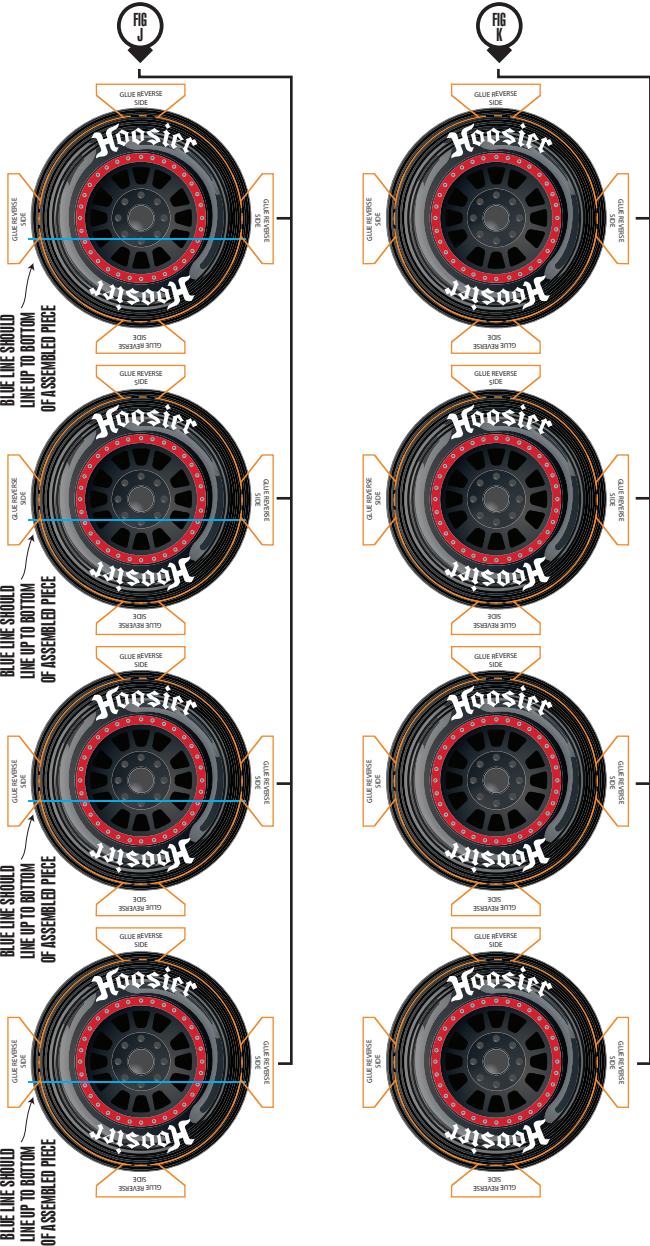
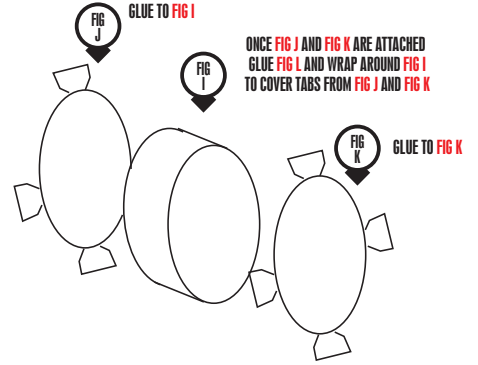
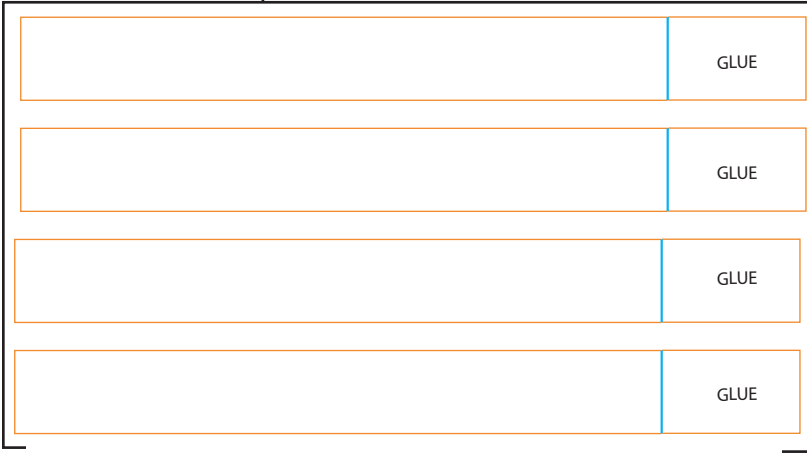




LUCASOIL.com

# BASIC INSTRUCTIONS PG. 4 of 4

- PRINT OUT
- CUT OUT ALONG SOLID LINES AND THEN FOLD ON DOTTED LINES (XACTO KNIFE WORKS BEST)



**FIG I**  
 THESE GLUE ON LAST TO COVER ALL THE TABS THAT ARE GLUED ON TO FIG I FROM FIG J AND FIG K

